

# Airtel Solutions



Bharati Airtel limited is a leading global telecommunications company with operations in 20 countries across Asia and Africa. Headquartered in New Delhi, India, ranks among the top 4 mobile service providers globally in terms of subscribers.

Xtelesis Datacom is channel partner for Airtel corporate solutions, involved in below activities

- Identify prospective customer
- Understand customer requirements
- Help to provide suitable and cost effective solutions.

Airtel Corporate Solutions:

- ILP Connectivity
- Smart MPLS
- MPLS-VPN
- PRI Line
- SIP Trunks

# Advantages of Airtel Internet Services

## **Comprehensive Telecommunications Portfolio**

Airtel Business Services offers an end-to-end telecommunications solutions portfolio comprising of Voice Services, Mobile Services, Satellite Services, Managed Data & Internet Services, Managed e-Business Services and Managed Customized Integrated Solutions.

## **World – class integrated infrastructure**

It is the only company in India with end-to-end integrated infrastructure: GSM mobile network across India, over 200 cities covered by the national long distance backbone spanning 75000 Kms, fixed line network available in select high density commercial towns, one of the finest VSAT networks in India with hubs in Delhi, Mumbai and Bangalore and the world's largest 8.4 Tbps capacity submarine cable Network i2i. The company is a key consortium partner, which jointly owns and has developed the next generation undersea cable system SMW-4. The SMW-4 (South East Asia, Middle East and Western Europe 4) is the new undersea cable connecting the Pacific to the Atlantic, and has been built with 4th generation Terabit DWDM technology.

## **Salient Features –**

Unparalleled Service Level Guarantee

Easy scalability

Premium Service dedicated to an individual customer

24 x 7 Dedicated Internet access

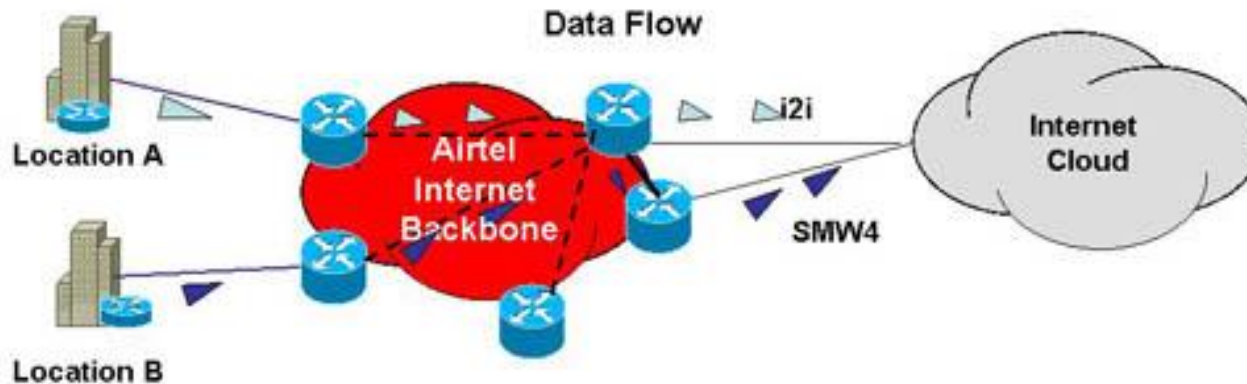
24 x 7 Networks Monitoring Service and Technical Helpdesk

# Advantages of Airtel Internet Services

## Key Advantages:

- Class A ISP having PAN India presence offering direct connectivity across Indian geographies
- Speed available under dedicated mode – 512kbps to n\*1G, 10G
- International connectivity through 2 different routes – trans-Atlantic and trans-Pacific for best route provisioning resulting in higher uptime and lower latency
- More than 120 PoPs in strategic business locations providing its customers with ubiquitous connectivity
- SLA- based service and round-the-clock helpdesk
- State of the art of network management tools centrally managing the complete backbone
- Single service provider for end to end telecom infrastructure requirements
- Peering with international and national service/ content providers for robust, reliable and cost effective connectivity.
- Direct peering with at least 2 Tier 1 ISP at each location i.e, singapore, US and UK
- Direct peering with IP exchanges in US, UK, Singapore and Hongkong
- Direct peering with NIXlat four locations with an aggregate peering capacity of 5+Gbps

# Connectivity for ILP



Internet Leased Line post is high speed, dedicated premium bandwidth designed to meet corporate customer's requirements. Bandwidth is symmetric i.e, same speed for upload and download. ILP BW is delivered with SLA parameters and service commitment on critical network performance metrics like latency, packet drop, network availability etc.,

Customer premise is connected to nearest Airtel PoP (Point of Presence) through last mile available media copper, Fiber and RF.

ILP BW options starts from 512 kbps to 2 Mbps(E1), n\*E1, DS3 (45Mbps) , STM-1 ( 155Mbps) & n\* STM-1.

# Airtel Smart MPLS

## **Smart MPLS**

With Smart MPLS, you'll be able to create more smiles with an intelligent, future-ready network.

## **Why MPLS?**

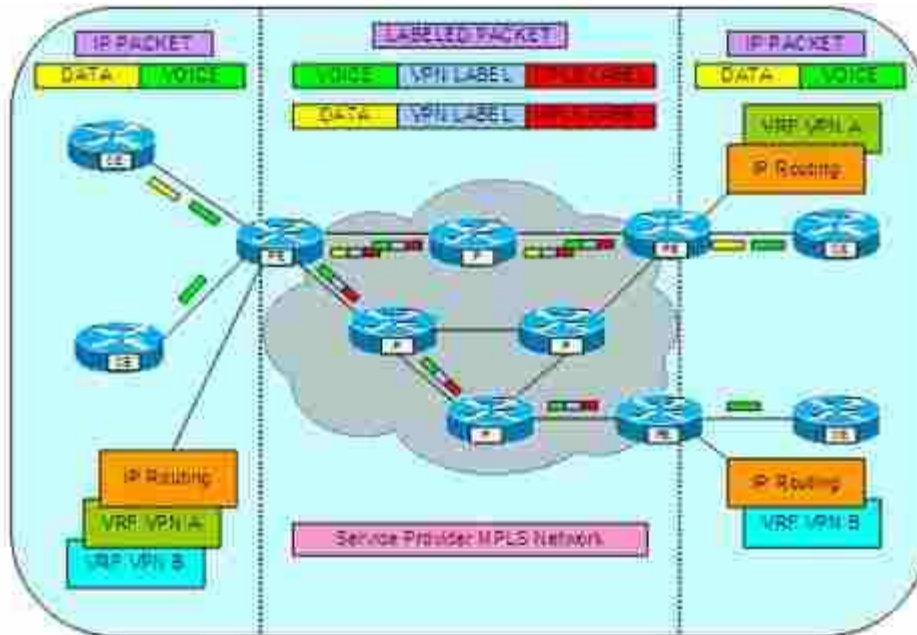
As organisations adopt more cloud-based hosted solutions and data is being accessed through multiple devices, the need for a secure and reliable network that supports future innovations becomes critical.

Airtel business' all improved MPLS prepares you for that future today with:

- Video-enabled network to connect with team members anytime, anywhere
- End-to-end managed service with any form of access like 3G, GPRS, VSAT, etc.
- Unified computing, enabling various cloud-based services

The Smart MPLS also offers various VAS solutions such as AQM & VPLS and facilitates remote location connectivity with 3G to meet all your future business needs.

# Airtel MPLS-VPN



## Key features:

- A wide choice of bandwidths, from 64 Kbps to 100 Mbps.
- End-to-end connectivity, including a Bharti Airtel-owned-and-operated last mile network.
- International connectivity through two different routes — trans-Atlantic and trans-Pacific.
- Access technology independent.
- Choice of interface: G.703, V.35 or Ethernet.
- SLA - based service.
- Bundled IP addresses, SMTP mail relay and DNS service.
- Extensive coverage across all the major cities in India.
- Round-the-clock helpdesk.

# Airtel MPLS-VPN

There are three types of MPLS VPNs deployed in networks :

- Point-to-point
- Layer 2 (VPLS)
- Layer 3 (VPRN)

## **Point-to-point:**

Point-to-point MPLS VPNs employ VLLs (virtual leased lines) for providing Layer2 point-to-point connectivity Between two sites. Ethernet, TDM, and ATM frames can be encapsulated within these VLLs.

Some examples of how point-to-point VPNs might be used by utilities include:

encapsulating TDM T1 circuits attached to RTUs

forwarding non-routed DNP3 traffic across the backbone network to the SCADA master controller.

## **Layer 2 VPN (VPLS):**

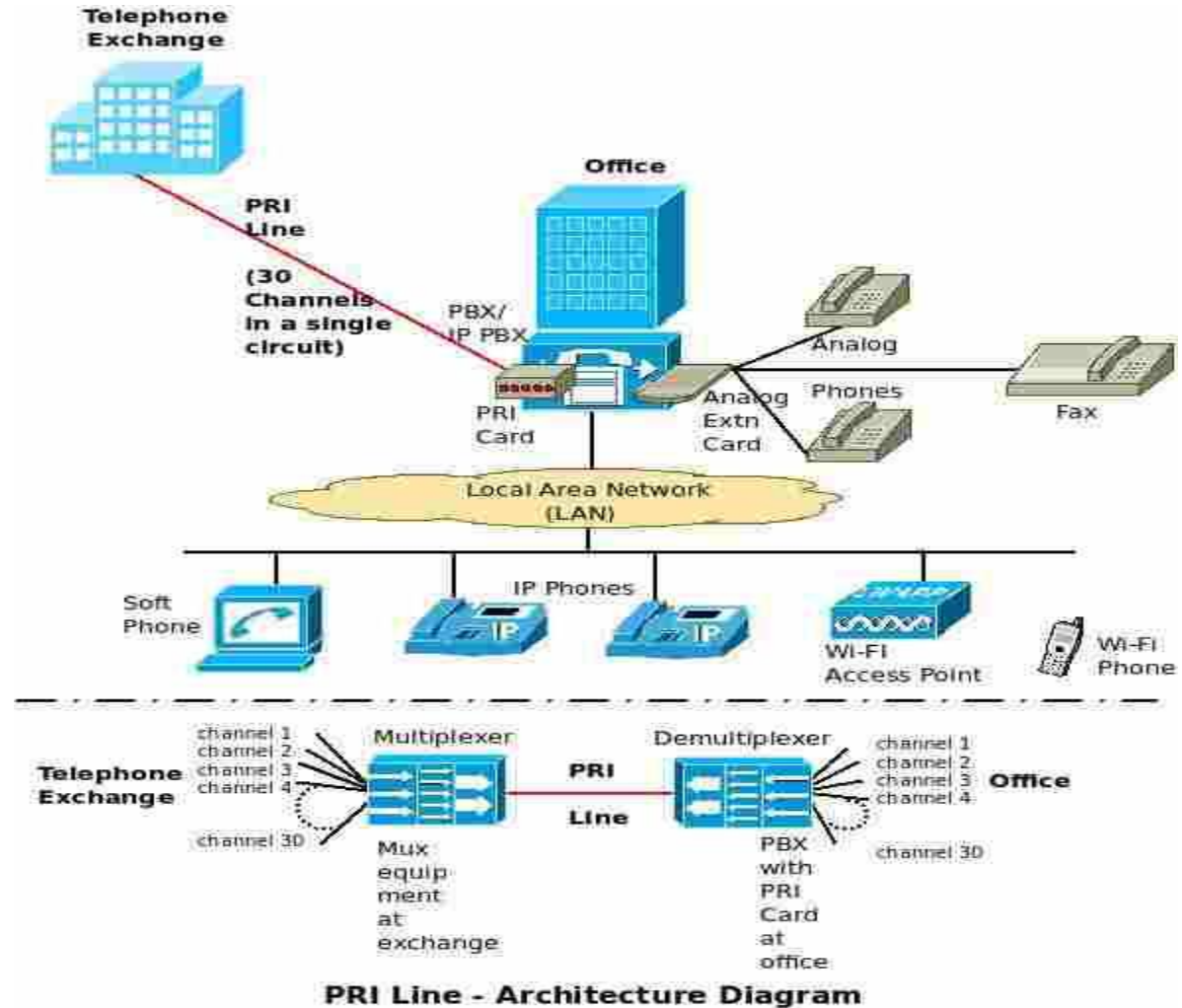
Layer 2 MPLS VPNs, or VPLS (virtual private LAN service), offers a “switch in the cloud” style VPLS service. VPLS provides the ability to span VLANs between sites. L2 VPNs are typically used to route voice, video, and AMI traffic between substation and data center locations.

## **Layer 3 VPN (VPRN):**

Layer 3, or VPRN (virtual private routed network), utilizes layer 3 VRF (VPN/virtual routing and forwarding) to segment routing tables for each “customer” utilizing the service. The customer peers with the service provider router and the two exchange routes, which are placed into a routing table specific to the customer. Multiprotocol BGP (MP-BGP) is required in the cloud to utilize the service, which increases complexity of design and implementation. L3 VPNs are typically not deployed on utility networks due to their complexity; however, a L3 VPN could be used to route traffic between corporate or data center locations.

# Airtel PRI Line

Single PRI Circuit is extended from Bharti Airtel and Office, which contains 30 multiplexed channels. The IP Phones, Fax Machines, Analog Phones, Wi-Fi Phones can all use the PBX to connect with the PRI line and make up to 30 simultaneous calls to the external world

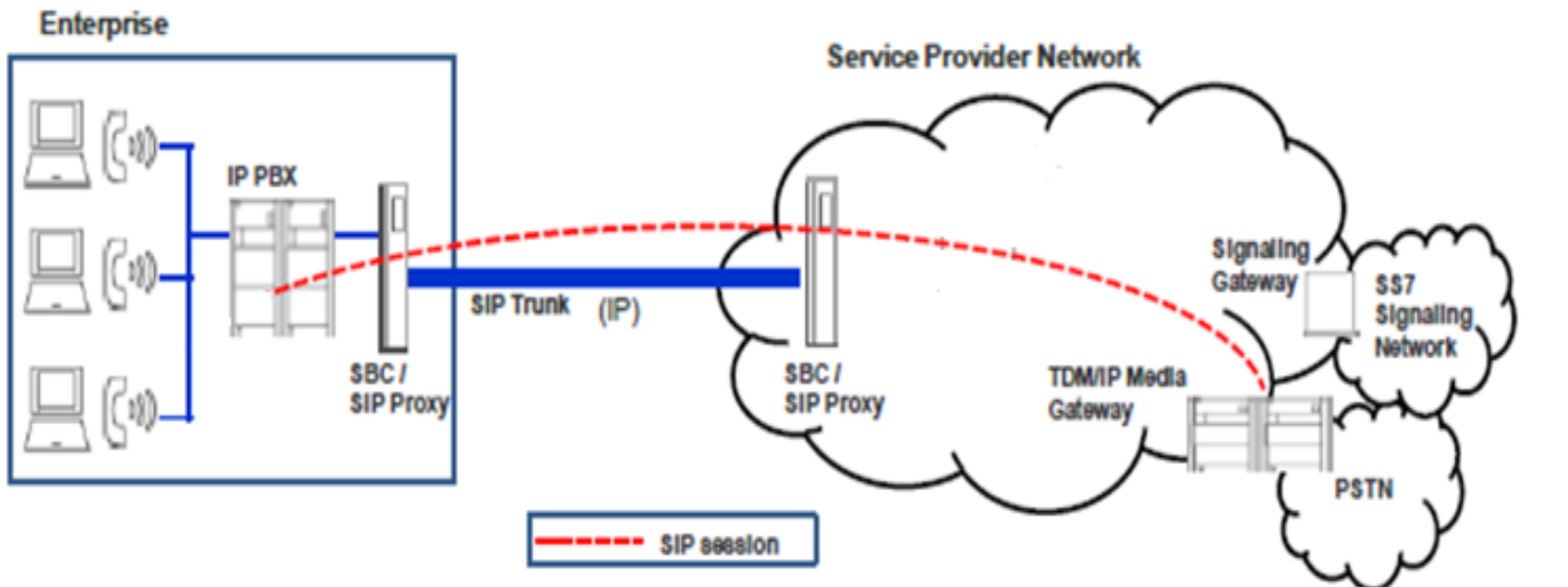




# Airtel SIP Trunks

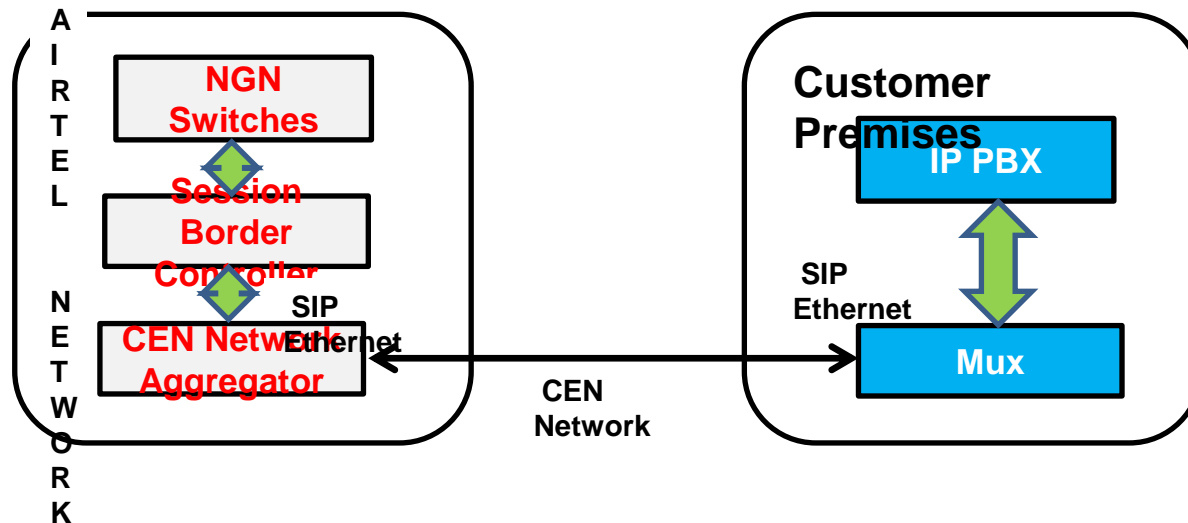
## What is SIP Trunk?:

For enterprises wanting to make full use of their installed IP-PBXs and not only communicate over IP within the enterprise, but also outside the enterprise, a SIP trunk provided by a UASL Service Provider to connect to the traditional PSTN network is the solution. Unlike in traditional telephony, where bundles of physical wires are being delivered from the service to a business, a SIP trunk allows a company to replace these traditional fixed PSTN lines with PSTN connectivity via a SIP trunk link from the service provider network.



# Airtel SIP Trunks solution

- Bharti Airtel has deployed **state of art** next generation (NGN) PSTN switches in major cities to provide the IP based solution to its customers. This functionality enables customers to make 2000 simultaneous calls through single link. This solution is based on open standards and supports popular codec likes G 711 & G 729.
- To avail this facility customer need to subscribe minimum 30 channels and can be scaled up to 2000 channels (based on G 729 codec) in the single link.
- This SIP trunk functionality will be enabled in “user mode” hence the Customer Premises Equipment need to be registered with NGN SBC.
- Current this facility is available in NCR regions, Mumbai, Chennai, Bangalore, Hyderabad & Chandigarh.
- SIP Trunks will provide calling to Local, STD and and International locations. The Handover of the call to other operators for domestic or International calls shall be as per existing POI setup.
- PSTN number with DID range shall be available.
- SIP trunk can be subscribed by Telemarketers also.
- Up gradation/ down gradation of channels shall be as per the defined channel slabs only.



# Airtel SIP Trunk - Call Rates

New Plan Name	SIP 30-120 channels	SIP 120-420 channels	SIP 420-750 channel	SIP 750-1500 channels
Plan Package ID's	SIP120	SIP420	SIP750	SIP1500
Rental	15000-60000	60000-210000	210000-37500	375000-750000
FCV Voice Inclusive of ISD Pulse (Rs.)	15000-60000	60000-210000	210000-37500	375000-750000
Dels	30-120	120-420	420-750	750-1500
Voice - Pulse Rate (Rs)				
Local Landline A-A	0.70	0.65	0.60	0.60
Local Landline	0.70	0.65	0.60	0.60
Local Mobile A-A	0.70	0.65	0.60	0.60
Local Mobile	0.70	0.65	0.60	0.60
STD Intra Circle	1.00	0.90	0.80	0.70
STD Inter Circle	1.00	0.90	0.80	0.70
Pulse				
Local Landline A-A	180	180	180	180
Local Landline	180	180	180	180
Local Mobile A-A	60	60	60	60
Local Mobile	60	60	60	60
STD Intra Circle	60	60	60	30
STD Inter Circle	60	60	60	30
ISD Rates (Rs./min)	Standard	Standard	Standard	Standard

# Contact Us

**India Office - Xtelesis Datacom Pvt. Ltd.**  
443, 6th Main, 8th Cross, Mico Layout, BTM  
2nd Stage, Bangalore - 560 076.  
Tel: +91-80-41574262 Fax: +91-80-41202731  
Website : [www.xtelesis.in](http://www.xtelesis.in)  
E-Mail : [sales@xtelesis.in](mailto:sales@xtelesis.in)

**USA Office - Xtelesis Corporation**  
1640 Gilbreth Road Burlingame, CA 94010,  
USA  
Phone: 1-650-239-1400 Fax: 1-650-239-1410  
Website : [www.xtelesis.com](http://www.xtelesis.com)  
E-mail: [sales@xtelesis.com](mailto:sales@xtelesis.com)

